

PMP compact

Software for the mechanical Process Engineering



The software *PMP compact* has been designed for the specific demands of the process engineering of disperse solids, in order to provide this important field of application with suitable tools for a uniform description, evaluation and optimisation of the processing equipment. By means of the *PMP compact* software you will get the best support for

- ◆ minimising the experimental efforts
- ◆ performing qualified evaluations
- ◆ deriving well-founded decisions
- ◆ communicating on an uniform basis

The basis of the software is the comprehensive management and representation of particle size distributions in connection with grading characteristic values according to valid DIN/ISO standards. The basic information can be imported directly via specified data interfaces from the commercially available measurement equipment, e.g. the particle size distributions of a laser diffraction device. This basic information can be prepared and processed for different needs.

In particular, the process analysis and -simulation is widely supported for the typical process classes *CLASSIFICATION AND COMMINATION*. Thus, the software supports

- ◆ the process modelling phase
- ◆ a direct link between the experimental results and theoretical approaches for describing the behaviour of the process units
- ◆ the high flexibility of the modules, in order to implement new methods and algorithms at reasonable efforts.

Due to the application of up-to-date software engineering structures, a good performance and the necessary high flexibility are ensured. The ergonomic and uniform user interface enables an easy introduction and handling with the software.

The program system *PMP compact* combines different application ranges by means of one user interface:

- ◆ *PMP PARSize*
complex grading evaluation
- ◆ *PMP PARSize PLUS*
advanced calculations with particle size distributions
- ◆ *PMP CLASS*
evaluation and simulation of size classification units
- ◆ *PMP MILL*
evaluation and simulation of size reduction units
- ◆ *PMP SYSTEMS*
flowsheet calculations

The program system *PMP compact* is modular structured (see fig. 1). The basic forms package *PMP PARSize*, which enables the evaluation of particle size distributions. Each of the other packages can be applied optionally together with this basic package.

Based on a *PMP single user license* the software can be run on one PC. The application is protected by a data key.

The *PMP network license* is recommended for application cases with several PCs. In such cases the number of network licenses limits the number of simultaneous users.

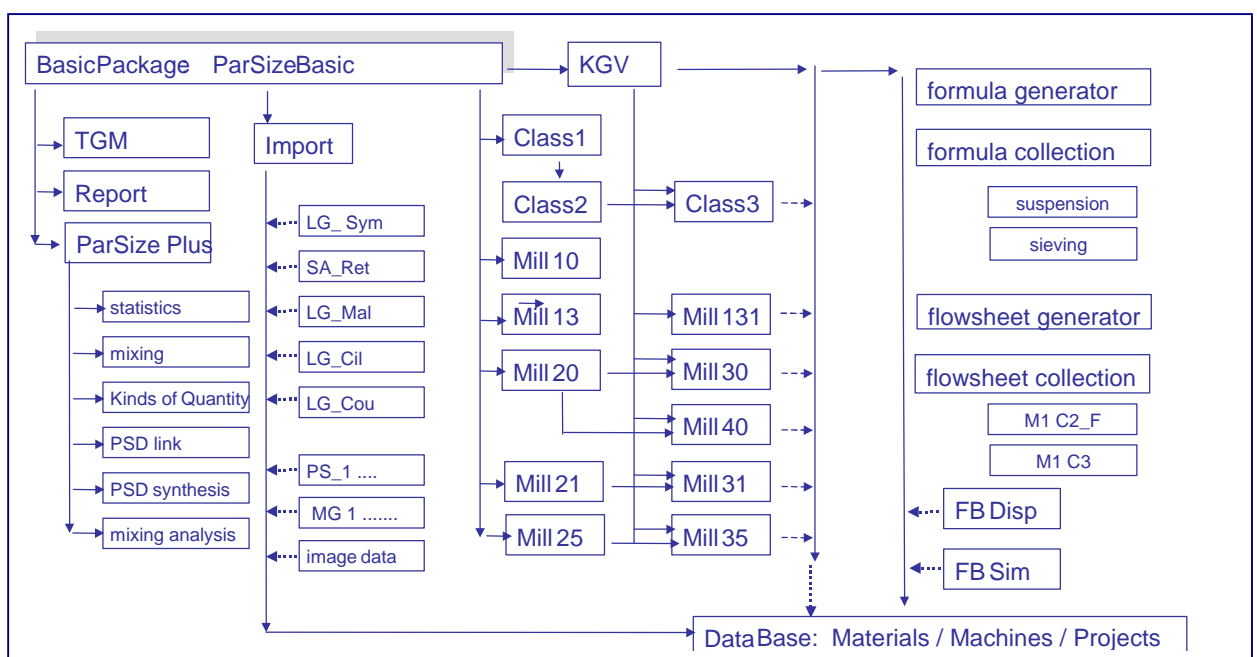


Fig. 1: Survey on the PMP program modules